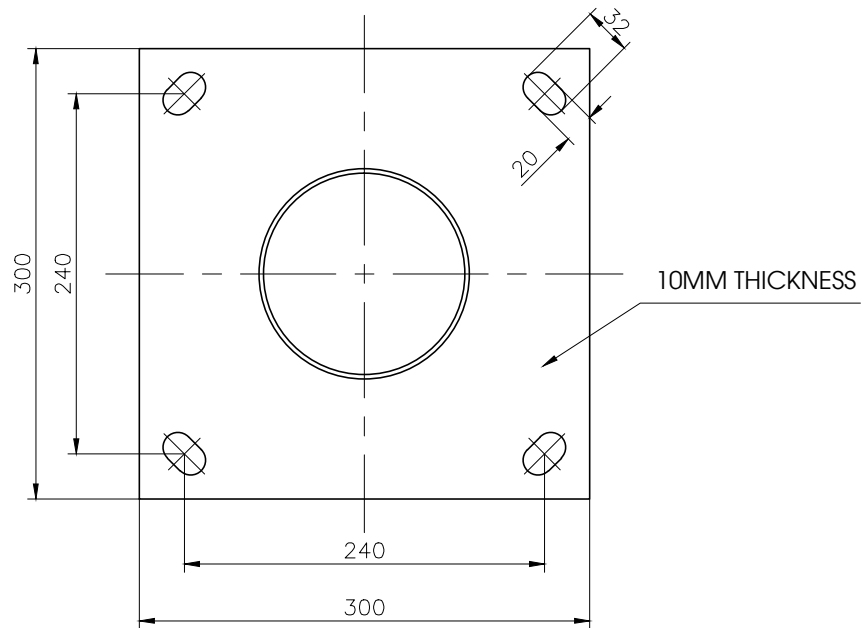


BASE PLATE



- ALL DIMENSIONS IN MILLIMETERS
- MATERIAL BASE PLATE: JIS G3101 SS400

4				STEEL POLE						
3				DETAIL BASE PLATE						
2								FILE NUMBER :		
1										
NO.	SIGN	DATE								
APPROVE										
DESIGNED				MATERIAL	SS400	DWG. NO :	01			
CHECKED				QUANTITY	WEIGHT	SCALE				
DAWN										
						TOTAL OF DWG :	01			