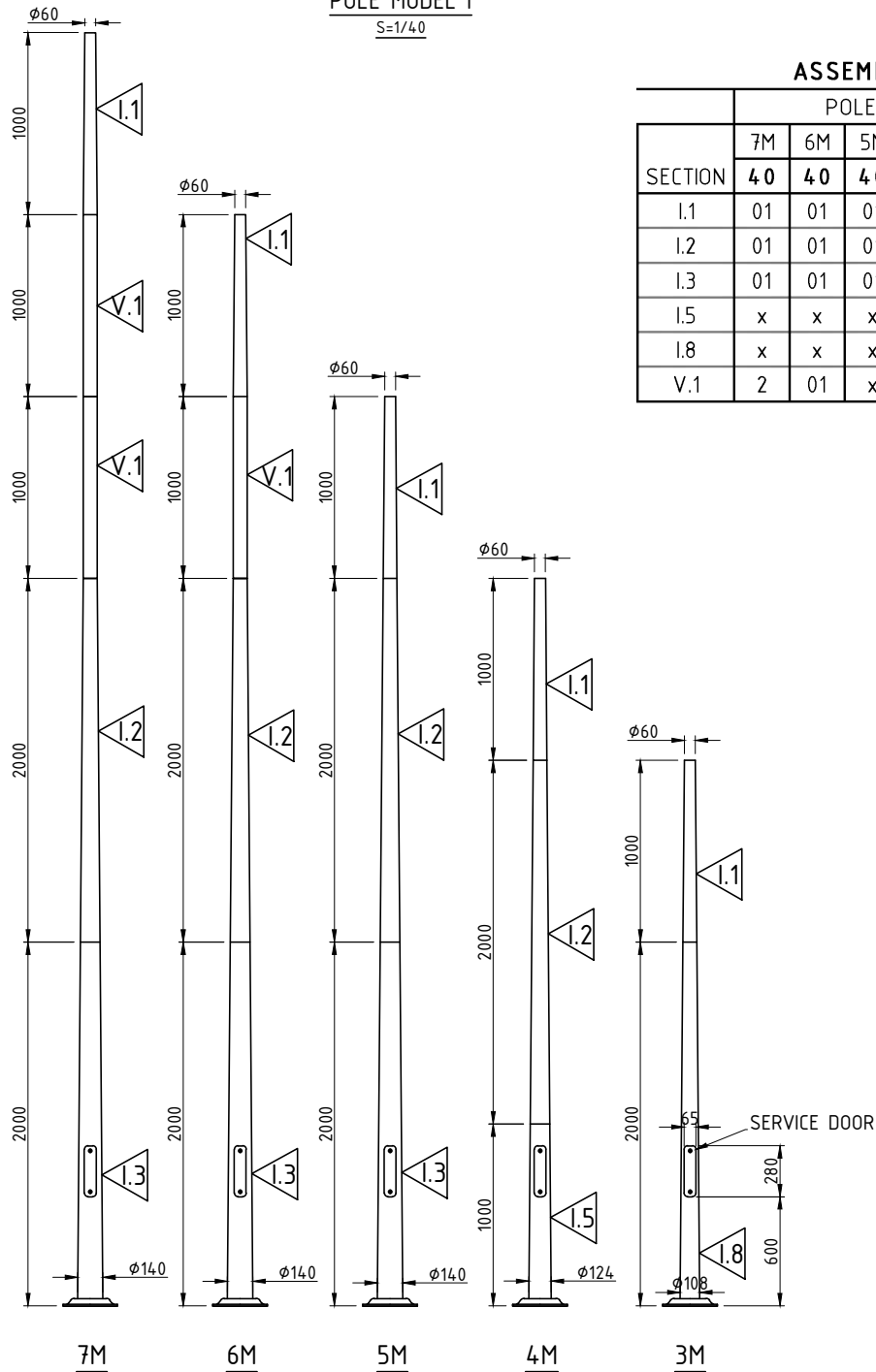


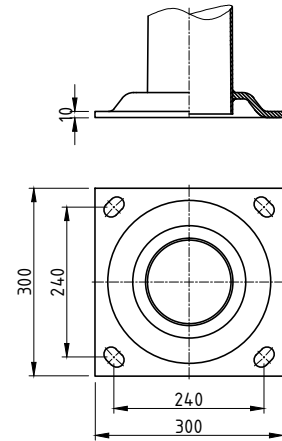
POLE MODEL I
S=1/40



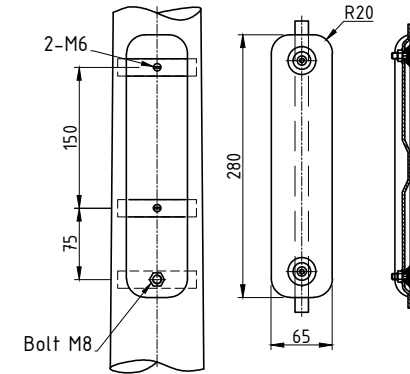
ASSEMBLY POLE

SECTION	POLE/WIND LOAD (m/s)					WEIGHT(KG)
	7M	6M	5M	4M	3M	
I.1	01	01	01	01	01	5,45
I.2	01	01	01	x	x	15,2
I.3	01	01	01	x	x	27,43
I.5	x	x	x	01	x	17,69
I.8	x	x	x	x	01	22,66
V.1	2	01	x	x	x	6,67

DETAIL BASE
S=1/12



DETAIL SERVICE DOOR
S=1/8



STANDARD SPECIFICATION:

1. Design : BS EN:40
2. Material : JIS G3101 SS400
3. Welding : AWS D1.1
4. Hot dip galvanizing : ASTM A123

No		SIGNA TURE	DATE	POLE MODEL I					
APPROVED BY				GENERAL DRAWING			FILE No:		
							INST DWG SIGN		
							DWG SIGN		
R&D CENTER				MATERIAL			DRAWING No: I/1	TOTAL OF DWG:	
CHECKED BY				Q'TY	WEIGHT	SCALE			
DESIGNED BY				AS-SHOWN					